

[www.pipehawk.com](http://www.pipehawk.com)

**PipeHawk plc**  
Underground Intelligence



# e-Spade<sup>Lite</sup>™

Ground Probing Radar made simple

Choice of Pre-installed Data Processing software

Immediate Mark Out  
for General Purpose Use

OR

Utility Mapping  
providing  
Target view in X-Section

AND

Linear  
Confirmation  
in Plan view



System Folds Down  
for Easy Transport  
and Storage

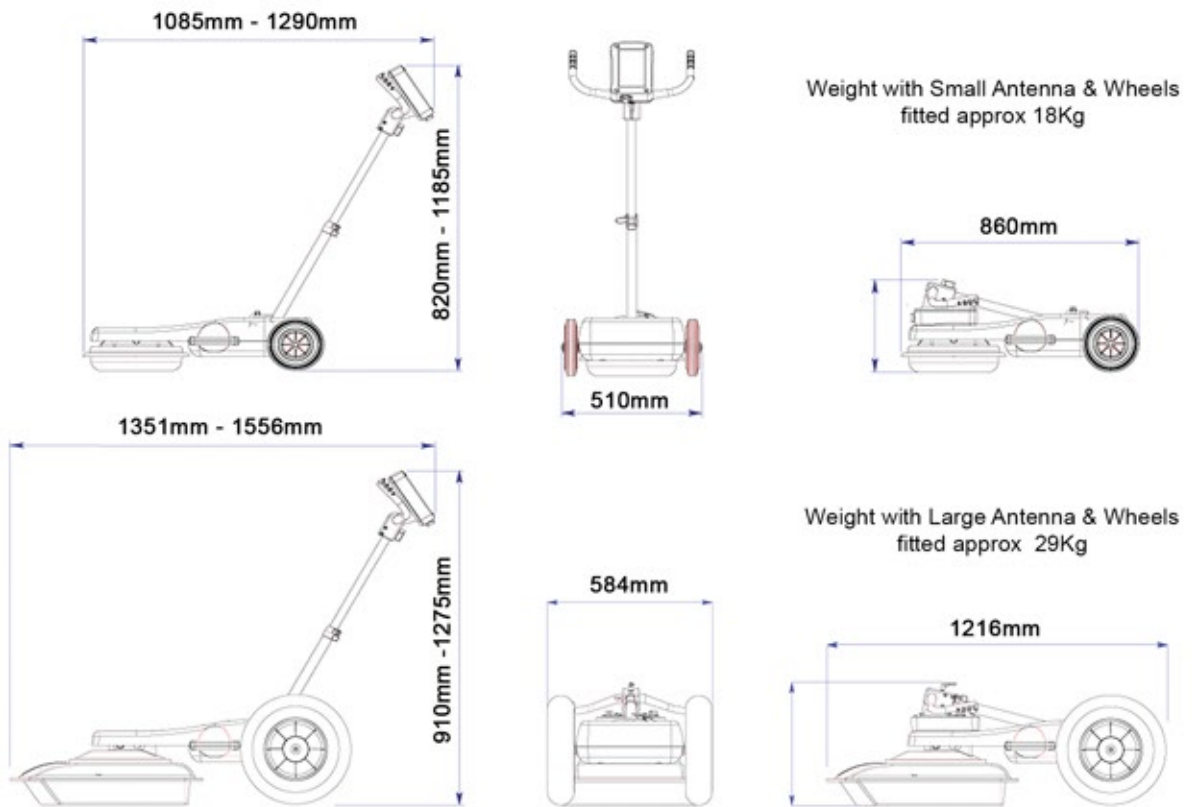


Choice of  
Antenna for  
Greater  
Detection  
Options



**WHY DIG?  
IF YOU DON'T  
HAVE TO!**

**Dimensions**



**Main Features**

Antenna Frequencies	135MHz - 835MHz (small) or 128MHz - 764MHz (Large)
Antenna Types	Ground Contact X Polar (small) or Co Polar (Large)
Antenna Protection	Sacrificial Wear membrane
Pre-installed Software Options	Immediate mark Out (IMO) or Utility Mapping
Post Processing Options	PipeHawk Desktop or 3rd Party software (not IMO)
Vertical Height Adjustment	365mm variable telescopic
Display Screen	High Contrast 210mm Landscape Sunlight readable LCD
Display Angle Adjustment	90 degrees operator adjustable tilt
Battery Type	16.4v Lithium-ion
Battery Life	2-4 hrs full charge
Battery Charging	External (110v-220v AC) charger 3-6 hrs

**Head Office**

**Your Local Contact**

## PipeHawk plc

**4 Manor Park Ind' Estate  
 Wyndham St. Aldershot  
 Hampshire GU12 4NZ  
 United Kingdom**

**Tel. +44 (0)1252 338959  
 Email. [info@pipehawk.com](mailto:info@pipehawk.com)  
 Web. [www.pipehawk.com](http://www.pipehawk.com)**